



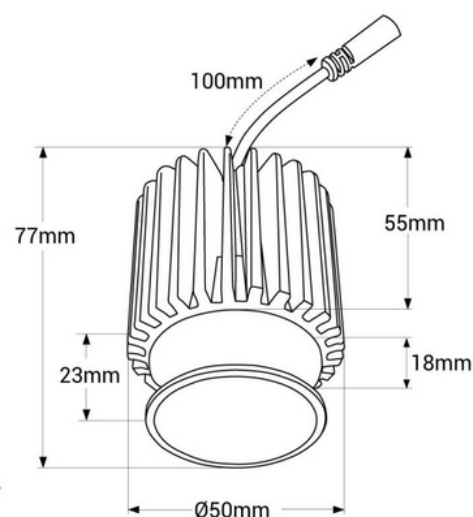
LED Module for MR16/GU10 downlight ring - 15W - DALI dimmable - 45° - CRI 90

15W LED Module of excellent performance and quality. Ideal for replacing GU10 or MR16 bulbs, with an energy savings of over 85%. Incorporates a Cree LED chip and an externally adjustable driver via DALI, which provides the ability to adjust the light intensity according to needs. It is compatible with the downlight rings references: B550 / B987-R / B911-B / B912-B / B930 / B931 (not included) Available in warm white (2700K) and neutral white (4000K).



Product data

Light temperature	2700°K, 4000°K
High	77mm
Width	Ø50mm
Beam angle (°)	45
Certs	CE, ROHS
Energy efficiency class	F
CRI	80-85
Dimmable	Yes
Driver	External
Warranty	According to legal warranty: 3 years
IP	IP20
Kelvin (K)	4000, 2700
Orientable	No
Power (W)	15
Sensor	No
Control system	DALI
Nominal Voltage (V)	220 - 240 V AC
Type of LED	Chip CREE
Key	Warm white, Neutral white
Outdoor Use	No
Service life (h)	25,000



Product variants

Reference

Attributes

B711-DALI-270

Light temperature : 2700°K



B711-DALI-BN

Light temperature : 4000°K

