

Microwave Motion Sensor - Surface - DIP Switch - Ceiling/wall

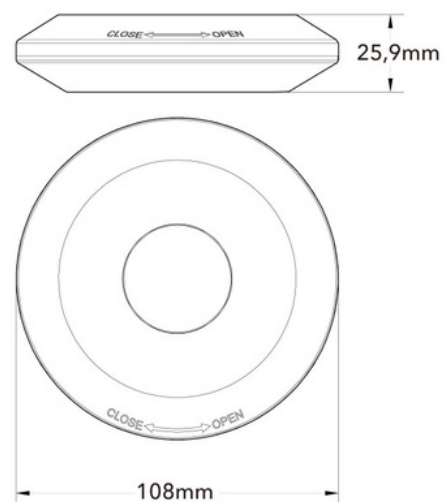
Ref. SMWR01A

Microwave motion sensor with dip switch to set light level, timeout, and sensitivity. 360° detection angle on ceiling and 180° on wall. Range up to 4 meters. Surface installation. Supports a power of up to 2000W for LED and 1000W for halogen lamps.



Product data

High	25.9mm
Width	108mm
Detection angle (°)	180, 360
Certs	CE, ROHS
Isolation class	Class II
Frequency (Hz)	50 - 60
Guarantee	According to legal warranty: 3 years
IP	IP20
Assembly	Surface
Maximum power (W)	2000W LED
Detection range (m)	4
Temperature range	-20°F ~ +40°F
Nominal Voltage (V)	220 - 240 V AC
Type of sensor	Microwave
Outdoor Use	No



Product variants

Reference

Attributes



SMWR01A