



Wooden pendant light "MARGE" - Ø 45cm - E27

Ref. LM9003

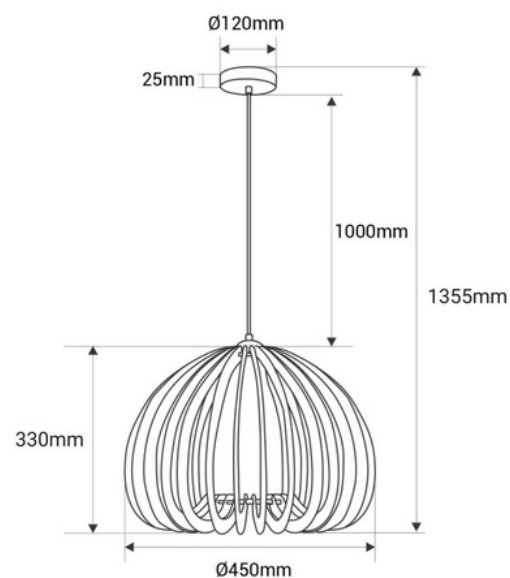
"Marge" MDF Wood Hanging Lamp, in Nordic and natural style. Made from MDF wood sheets, its structure creates enveloping and balanced lighting, perfect for creating relaxed and cozy environments. It is height adjustable.

Accepts E27 bulb - NOT included



Product data

Width	Ø17.7in
Cap	E27
Certs	CE, ROHS
Style	Nordic, Natural
Guarantee	10 years
IP	IP20
Long	1355 mm
Material	Wood
Assembly	Suspension
Maximum power (W)	40
Sensor	No
Nominal Voltage (V)	220 - 240 V AC
Outdoor Use	No
Recommended Use	Dining room, Bedrooms, Restaurants, Living room



Product variants

Reference

Attributes

LM9003

