

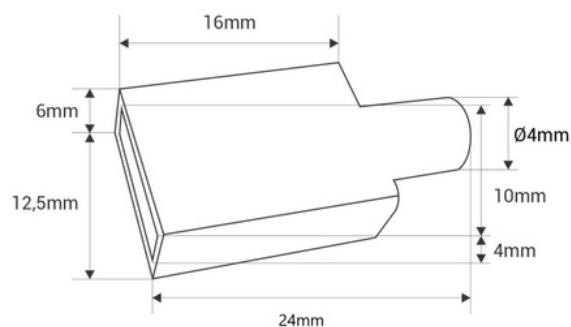
End cap for submersible LED strip - 8mm PCB - SKU NWS0410-24V-5M

Silicone end cap for submersible LED strip ref: NWS0410-24V-5M. Ensures total airtightness and provides a professional finish to the installation. Available start cover, with hole, and blind end cover. **The price includes a tapa**



Product data

Tapas (to use)	Start (use), Final (use)
Certs	CE, ROHS
Dimensions (mm) LxWxH	16 x 12.5 x 6
Guarantee	According to legal warranty: 3 years
IP	IP68
Material	Silicone



Product variants

Reference

Attributes

NWS0410-TF

Tapas (to use): Final (use)



NWS0410-TI

Tapas (to use): Start (use)

