

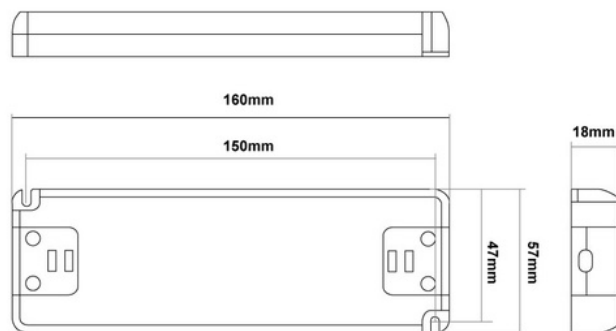
Power supply ultra slim 12V 60W IP20

Ref. B1561-60

Power supply for LED luminaires with a power of 60W. The power supply system is designed to connect LED lamps with a voltage of 12V and a maximum of 5A. 12V 60W Transformer Input: 100-240V/AC Output: 12V Power: 60W 2.5A IP20

Product data

Certs	CE, ROHS
Frequency (Hz)	50 - 60
Guarantee	According to legal warranty: 3 years
Maximum intensity (A)	5
IP	IP20
Power (W)	60
Output Voltage (V)	12V
Nominal Voltage (V)	100 - 240V AC
Service life (h)	20,000h



Product variants

Reference

Attributes

B1561-60

