

## 12W PRO Downlight - CCT - 148lm/W - IP54 - UGR19 - Cutout $\varnothing$ 120mm

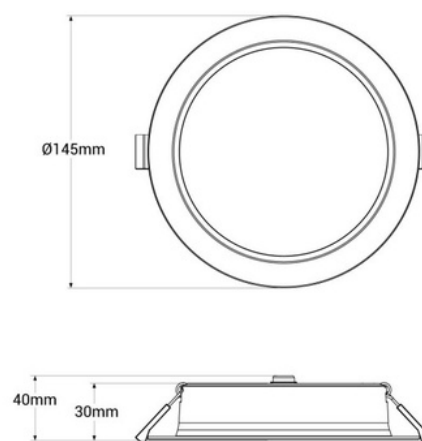
### Ref. B1269-12W-CCT

PRO LED Downlight with high efficiency and cutting-edge technology. With 12W of power, it offers a luminous efficiency of up to 148lm/W. It incorporates a Lifud driver that guarantees quality lighting, "No flicker". Its low glare index (UGR19) ensures maximum visual comfort. Due to its IP54 protection rating, it is suitable for outdoor use. It has a CCT system that allows you to choose between 3 light shades: warm white, neutral, or cool. \*\*Mounting and connection accessories included\*\*



### Product data

Opening angle (°)	100
Certs	CE, ROHS
Energy efficiency class	D
CRI	80-85
Driver	Lifud
Power factor (cos $\phi$ )	0.5
Form	Circular
Guarantee	According to legal warranty: 3 years
IP	IP54
Kelvin (K)	3000, 4000, 6000
Assembly	Recessed
Orientable	No
Power (W)	12
Nominal Voltage (V)	220 - 240 V AC
Type of LED	SMD 2835
Key	CCT
UGR	UGR19
Outdoor Use	If
Recommended Use	Hotels, Commerce, Balconies, Bathrooms



## Product variants

Reference

Attributes



B1269-12W-CCT