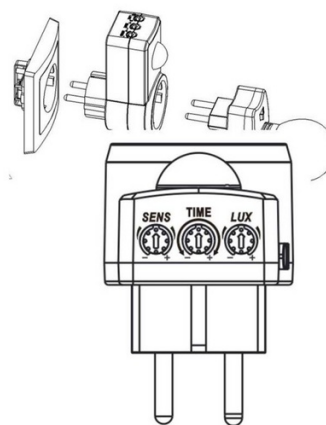




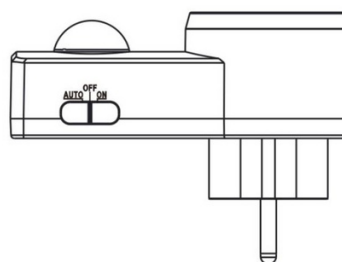
At induction, it will restart to time from the moment.



120° Motion Sensor Socket IP20

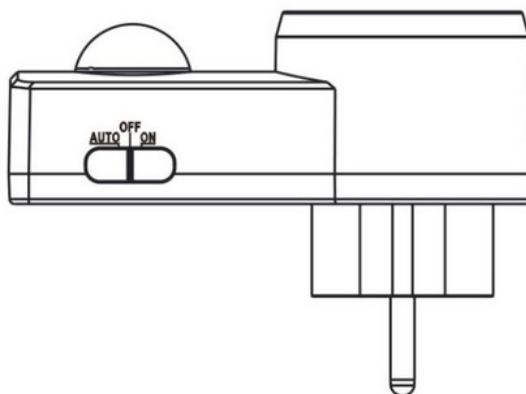
Ref. SEP32G

Motion Sensor Plug. The plug lights up when detecting motion within 2-9 meters. Saves energy. Brightness can be adjusted based on whether it is day or night. Detection distance and light intensity are adjustable. Uses passive infrared sensor (PIR).



Product data

Detection angle (°)	120
Certs	CE, ROHS
Frequency (Hz)	50
Frequency of Use	Intensive
IP	IP20
Material	Plastic
Detection range (m)	2-9
Sensor	Yes
Nominal Voltage (V)	220-240V/AC



Product variants

Reference

Attributes

SEP32G

