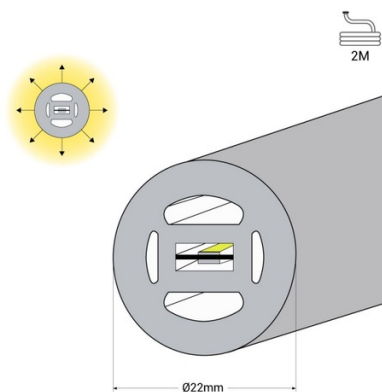


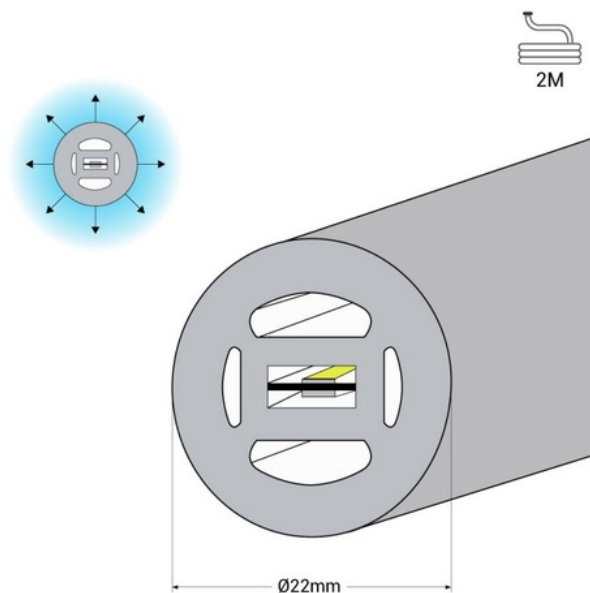
Flexible LED neon 360° circular - Ø22mm - 2 meters - 24V DC - 240Ch/m - 19,2W/m - IP65

The 360° flexible LED Neon allows for decorative lighting with great visual impact. By incorporating a double LED strip, it features a high density of SMD2835 LED chips (240 chips/m), ensuring powerful, stable, and uniform lighting. Available in warm white, neutral white, and cool white, it emits light across its entire surface, allowing for installation in various positions, including around objects. Its IP65 protection rating allows for outdoor use and ensures its durability.



Product data

Light temperature	3000°K (use), 4000°K (use), 6000K (use)
Opening angle (°)	360°
Certs	CE, ROHS
CRI	90-95
Dimensions (mm) LxWxH	Ø22x2000
Efficiency (Lm/w)	79
Guarantee	According to legal warranty: 3 years
IP	IP65
Kelvin (K)	3000, 4000, 6000
Material	Silicone
# Chips per meter	240
Power/m (W/m)	19.2
Nominal Voltage (V)	24V DC
Type of LED	SMD 2835
Key	Warm white, Cold white, Neutral white
Outdoor Use	If
Recommended Use	Dining room, Hotels, Commerce, Restaurants, Living room



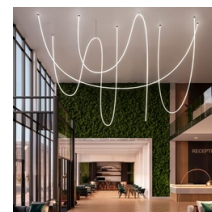
Product variants

Reference

Attributes

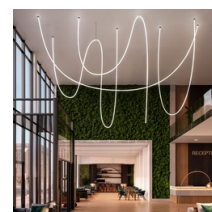
NSD22-2M-BC

Light temperature : 3000°K (use)



NSD22-2M-BF

Light temperature : 6000K (use)



NSD22-2M-BN

Light temperature : 4000°K (use)

