



Switching Power Supply - 24V - 350W - 14.6A

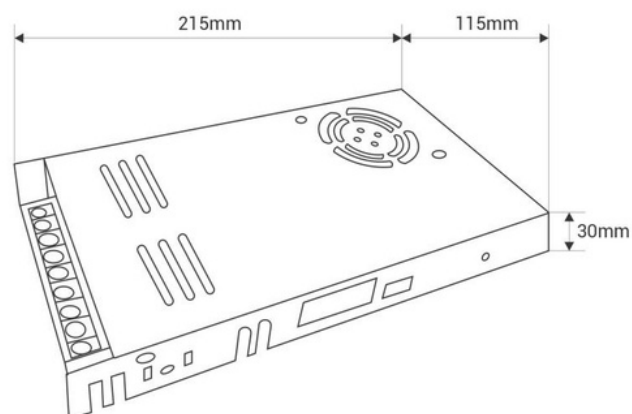
Ref. MI-8860

350W switching power supply with high efficiency and durability for 24V DC LED lighting. Perforated metal casing for optimal heat dissipation. Includes fan. Complies with RoHS and CE standards. Protection against short circuits, overloads, and surges.



Product data

High	30mm
Width	115 mm
Certs	CE, ROHS
Guarantee	3 years
Maximum intensity (A)	14.6
IP	IP20
Long	215mm
Power (W)	350
Temperature range	-20°F to +50°F
Output Voltage (V)	24V
Nominal Voltage (V)	175 - 260
Outdoor Use	No



Product variants

Reference

Attributes



MI-8860